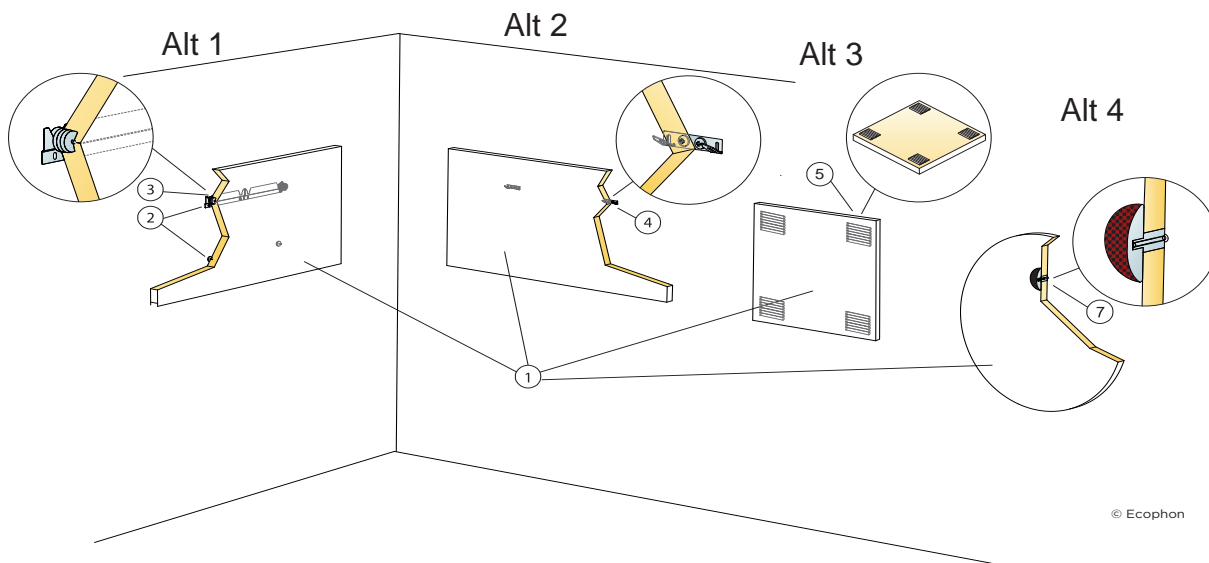
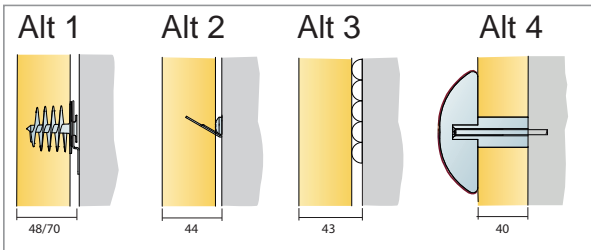


ECOPHON AKUSTO ONE AKUSTO TRIANGLE/ HEXAGON/FREEDOM

M371/372 & M585/586

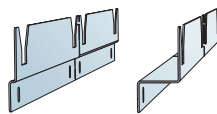


© Ecophon

1. Ecophon Akusto One
592x592
1192x592
1192x292
Ø 592
Ø 792
Ø 1192

- Ecophon Akusto Hexagon/Triangle/Freedom
513x592
513x592
300x300
600x600
1200x1200

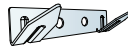
2. Alt.1 Connect One Trim
Alt.2 Connect One Trim



3. Connect Absorber Anchor One



4. Connect One Hook Fixing



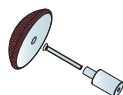
5. Connect Absorber Glue

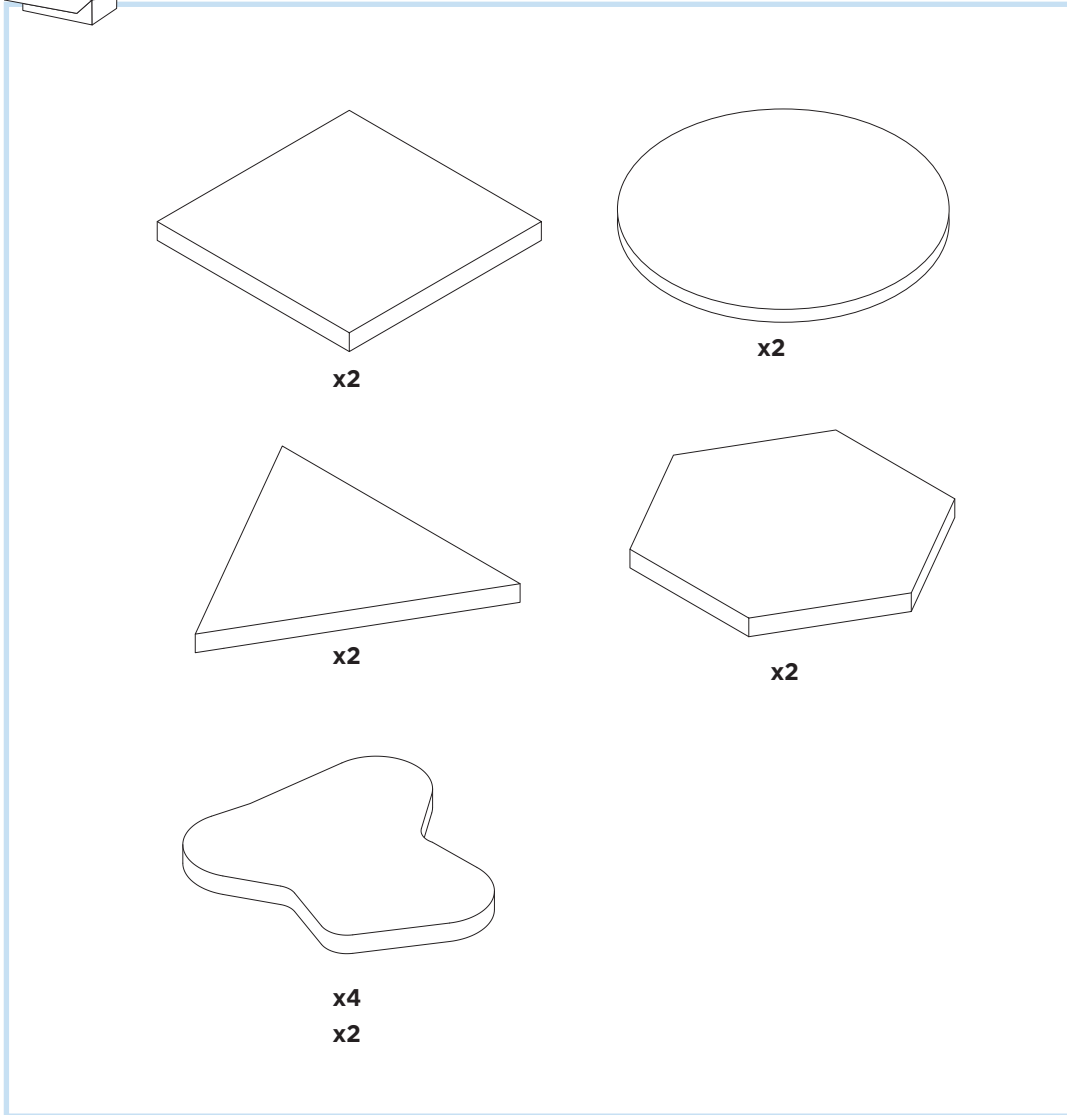
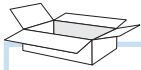


6. Connect Notched Spatula



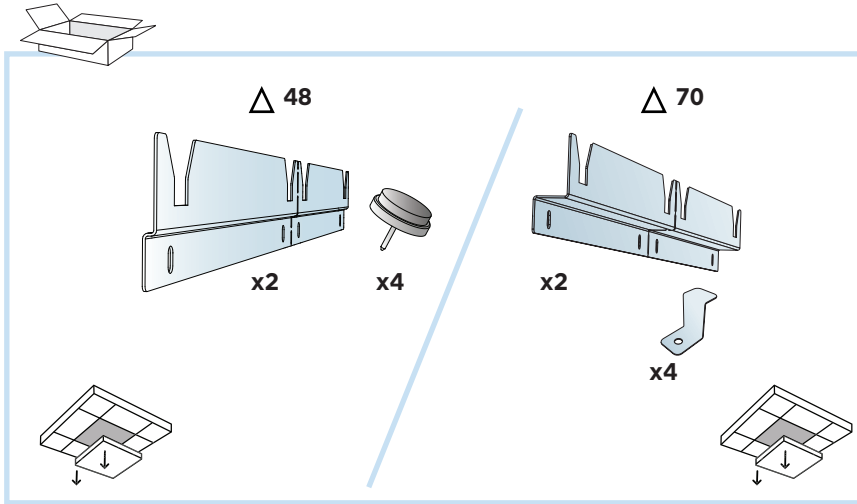
7. Connect One Fixing





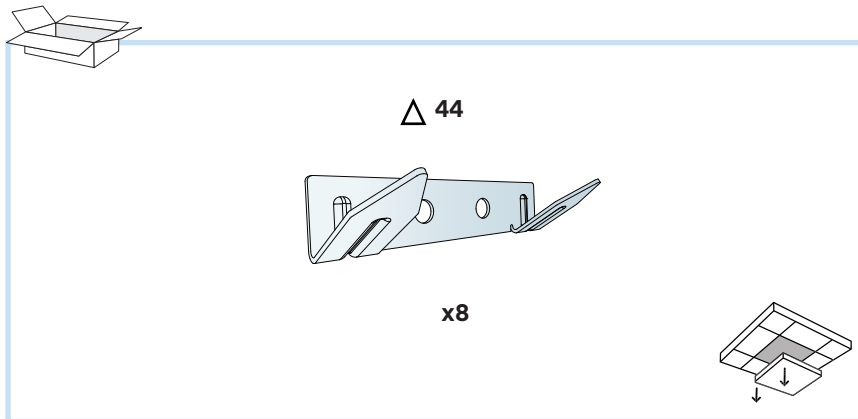
Installation method		Akusto One	Akusto Triangle	Akusto Hexagon	Akusto Freedom 300x300	Akusto Freedom $\geq 400 \times 400 - 1200 \times 1200$
Alt 1	$\Delta 48$	●	●	●		●
	$\Delta 70$	●	●	●		●
Alt 2	$\Delta 44$	●	●	●	●	●
Alt 3	$\Delta 43$	●	●	●	●	●
Alt 4	$\Delta 40$	●	●	●	●	●

Alt 1



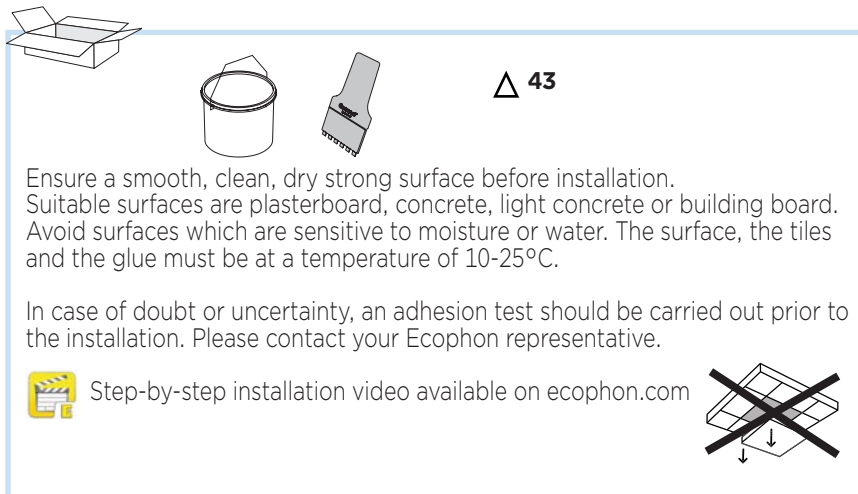
→ 1-7

Alt 2



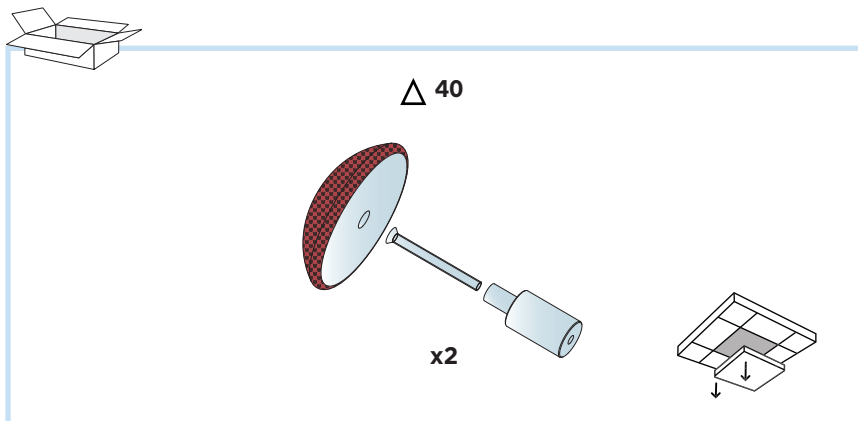
→ 8-9

Alt 3

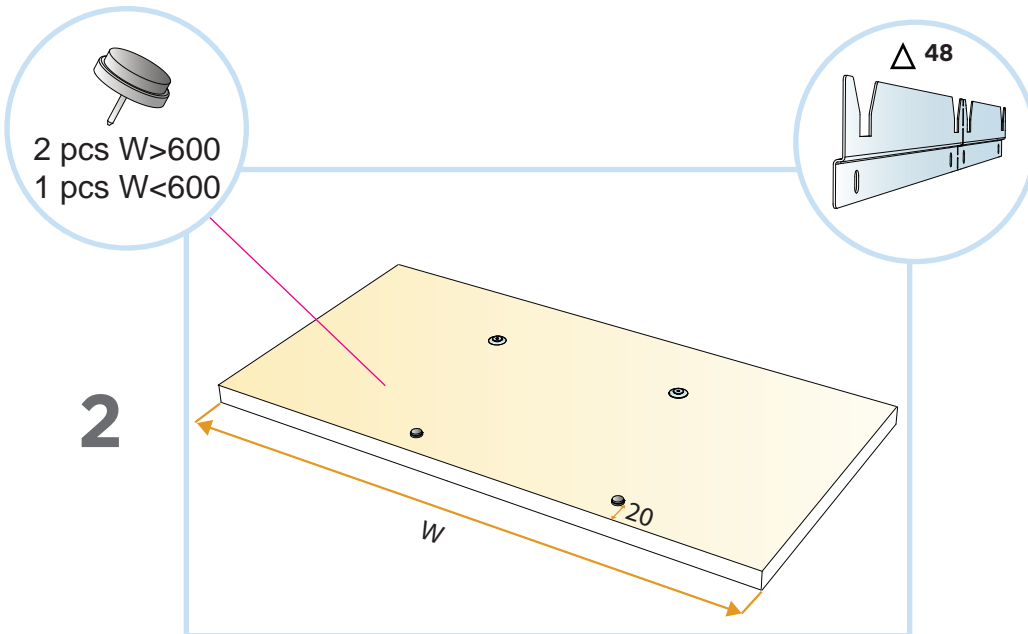
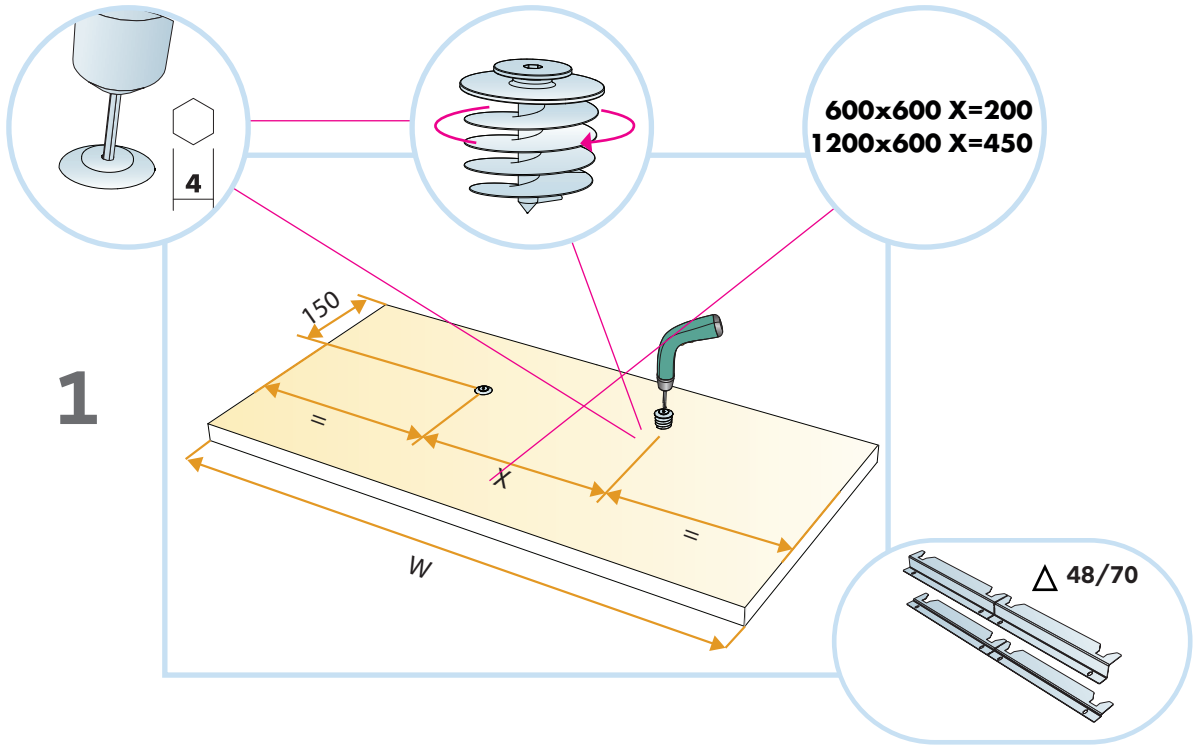
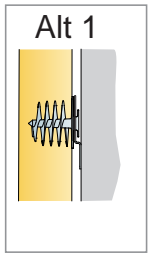


→ 10-13

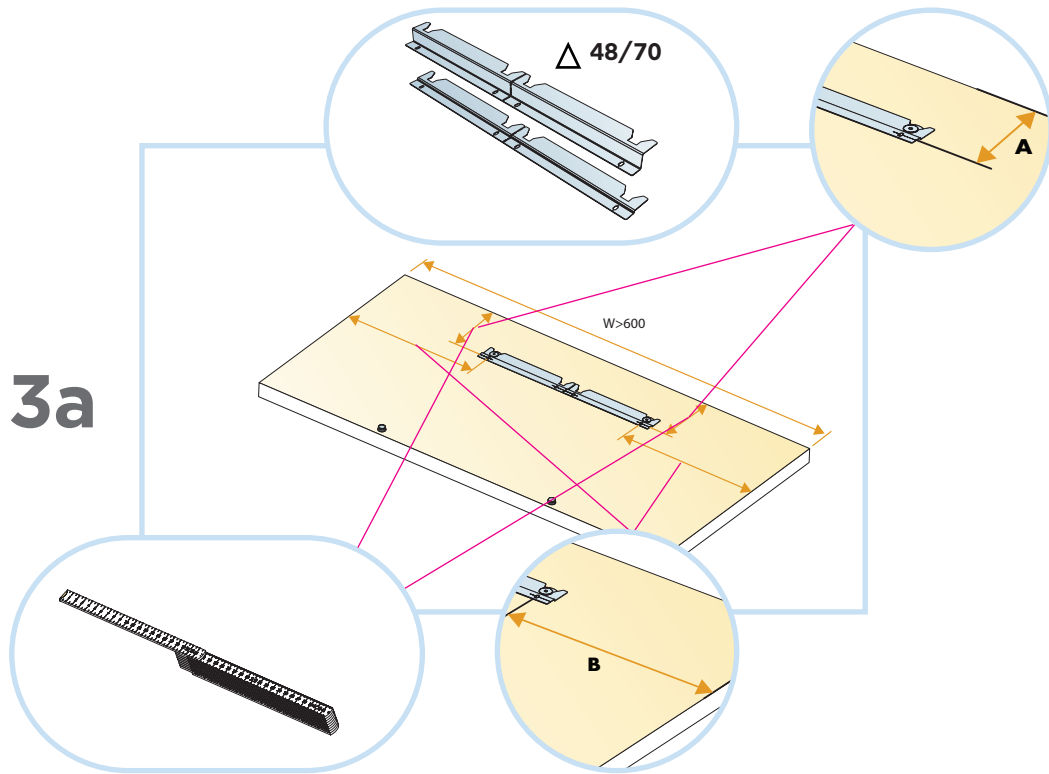
Alt 4



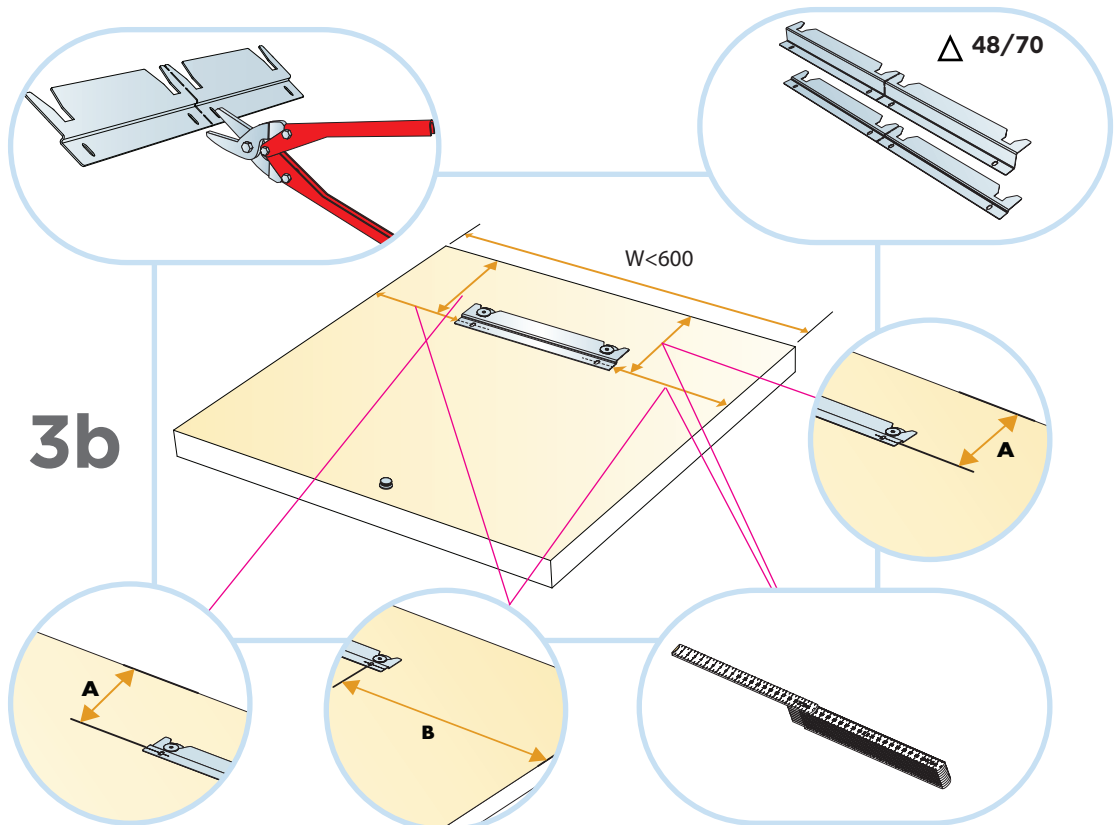
→ 14-16

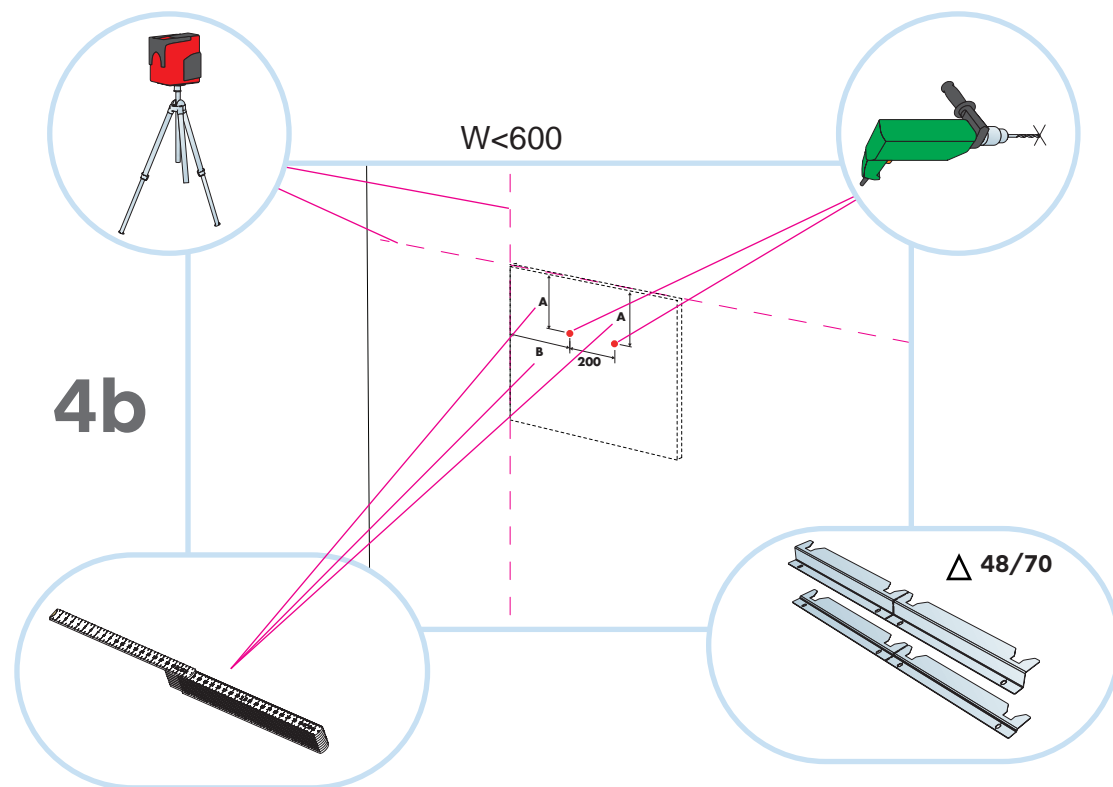
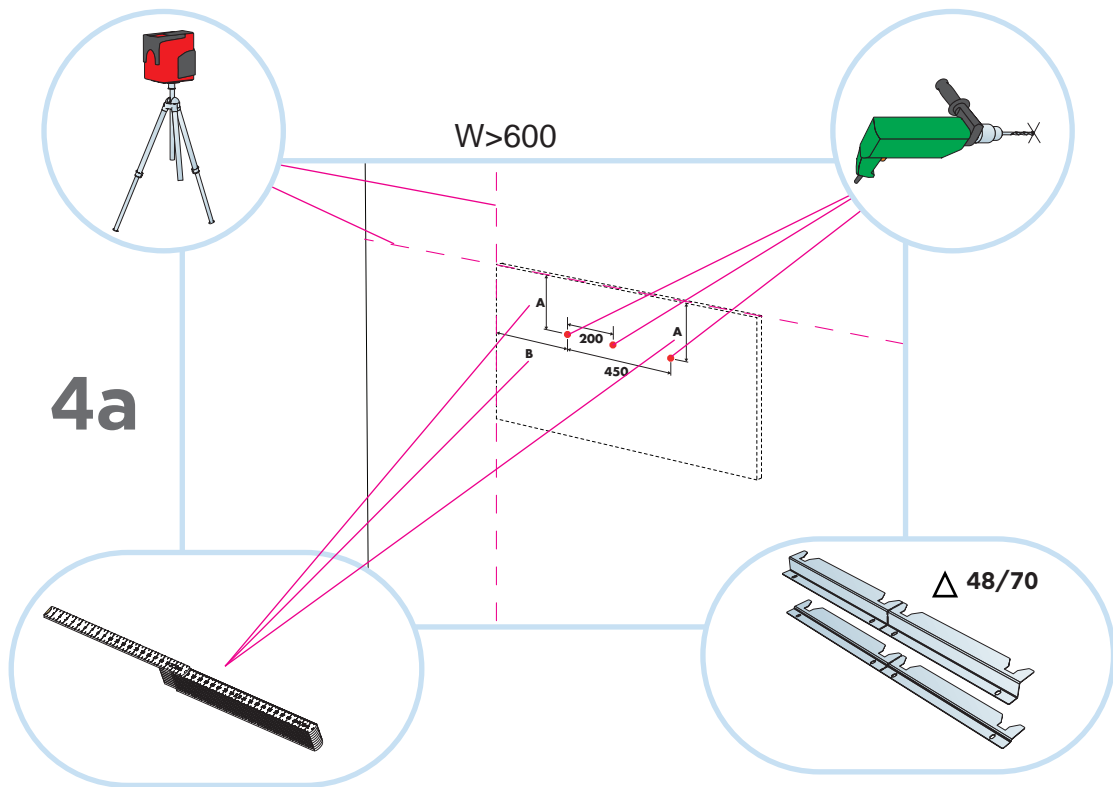


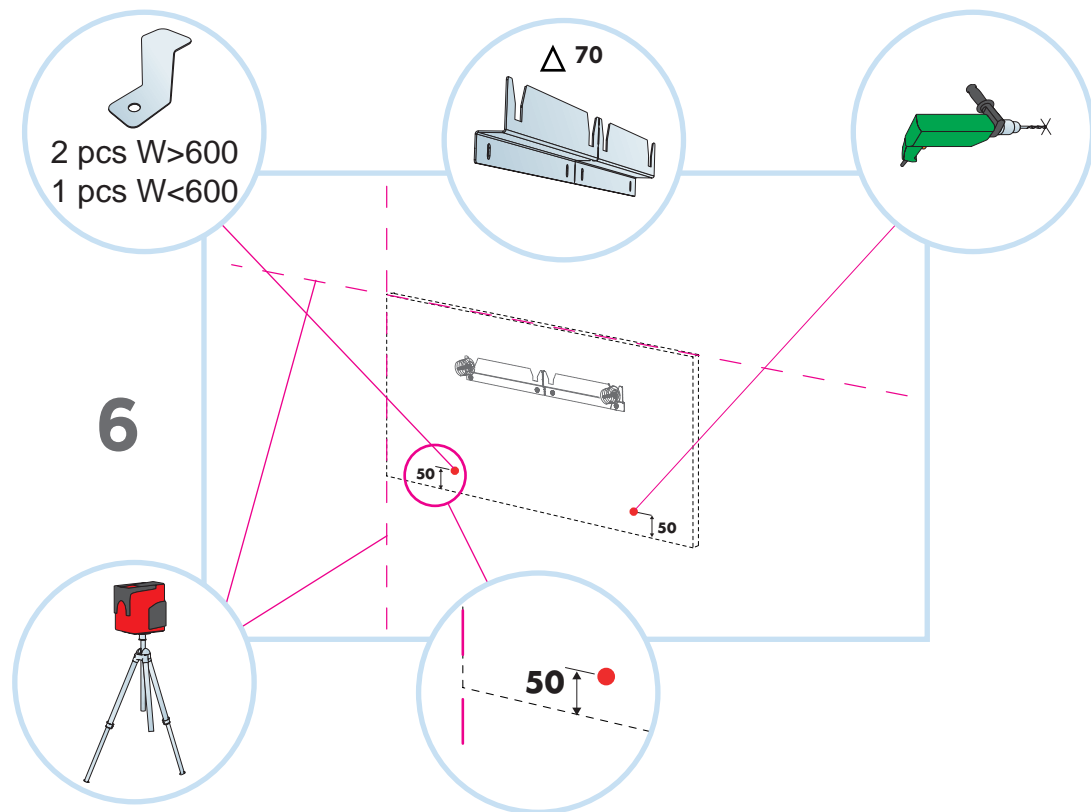
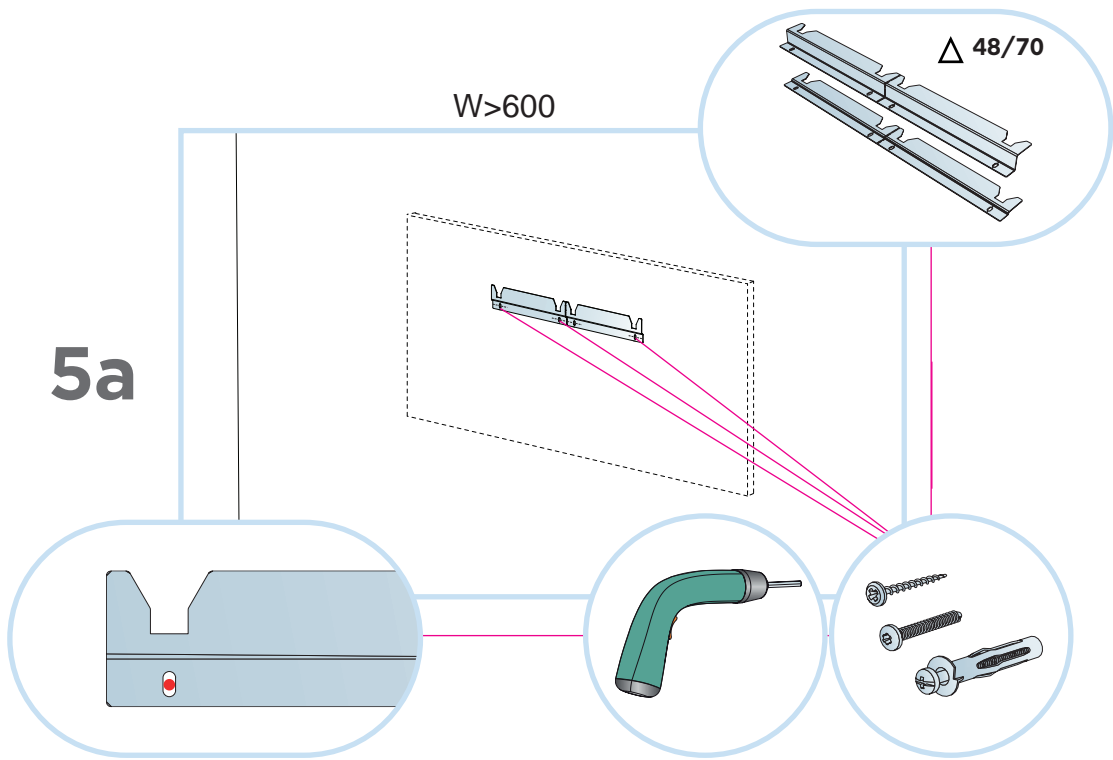
3a

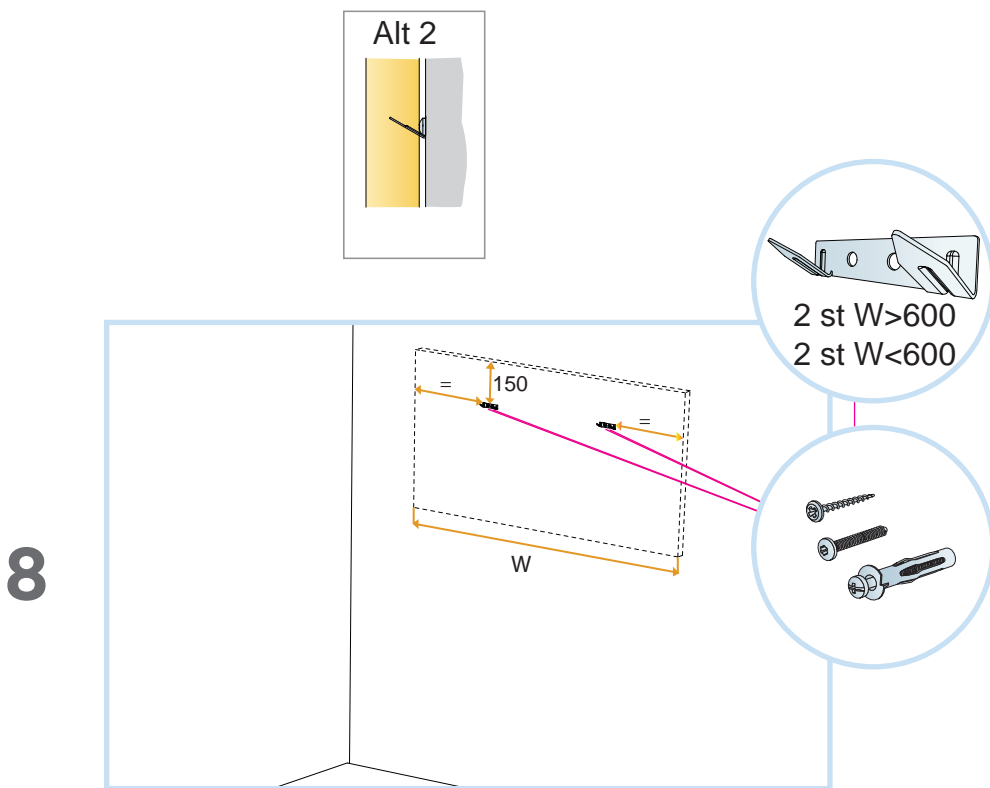
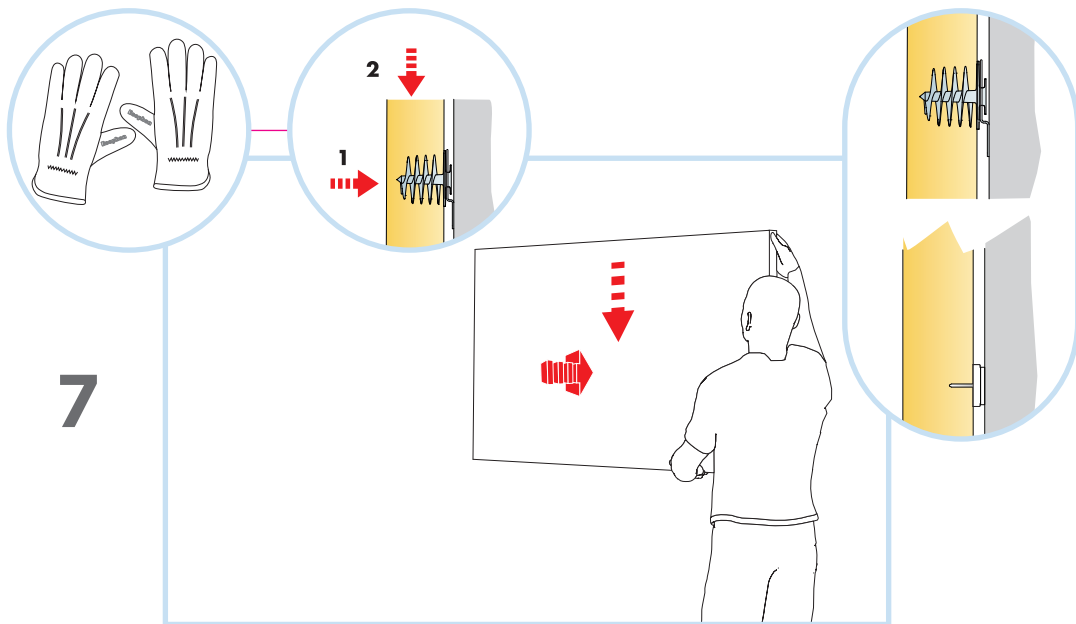


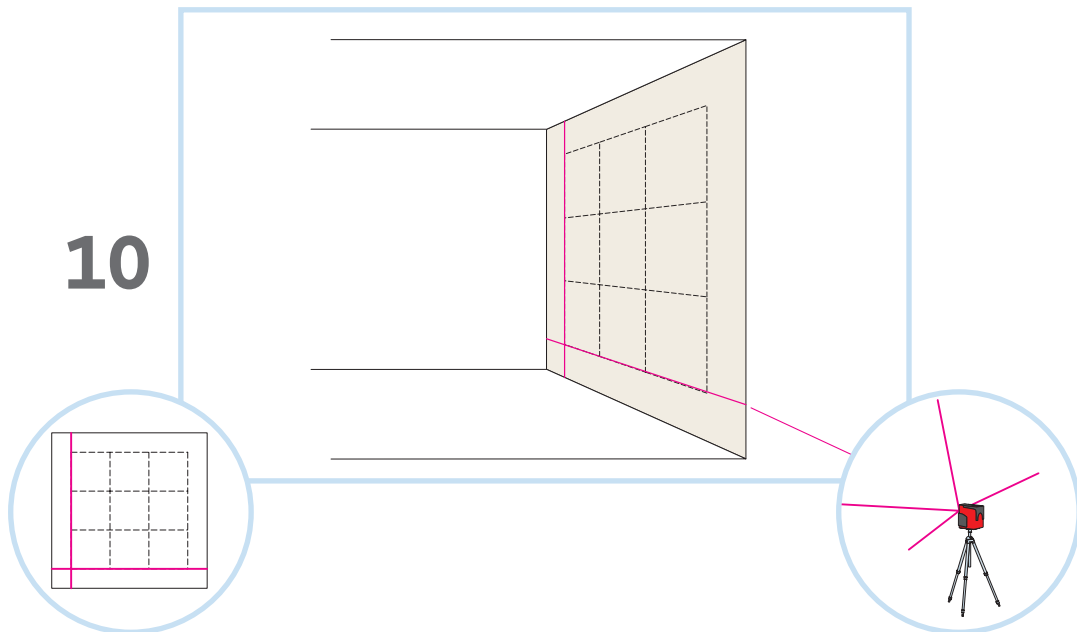
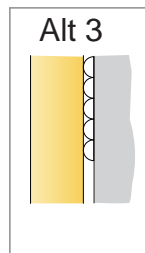
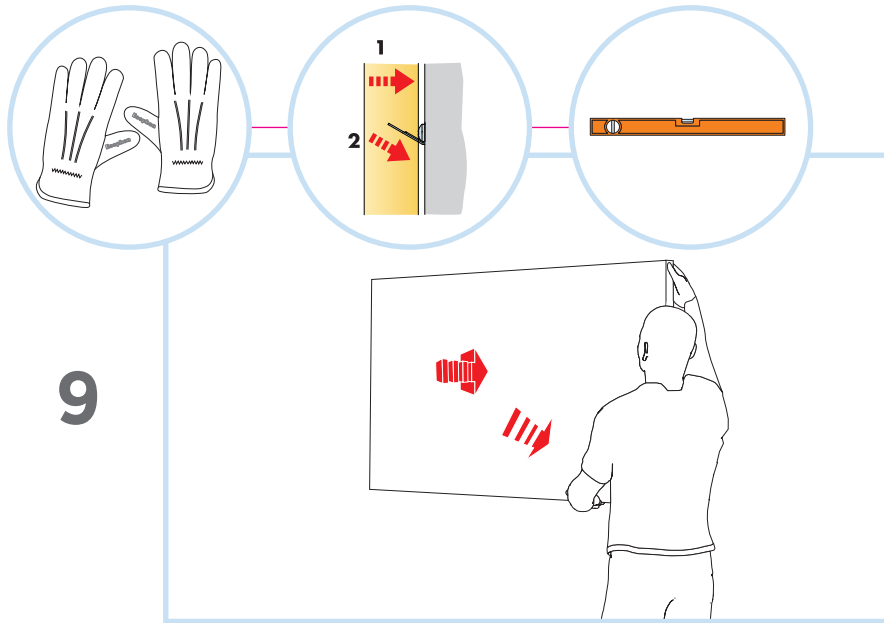
3b

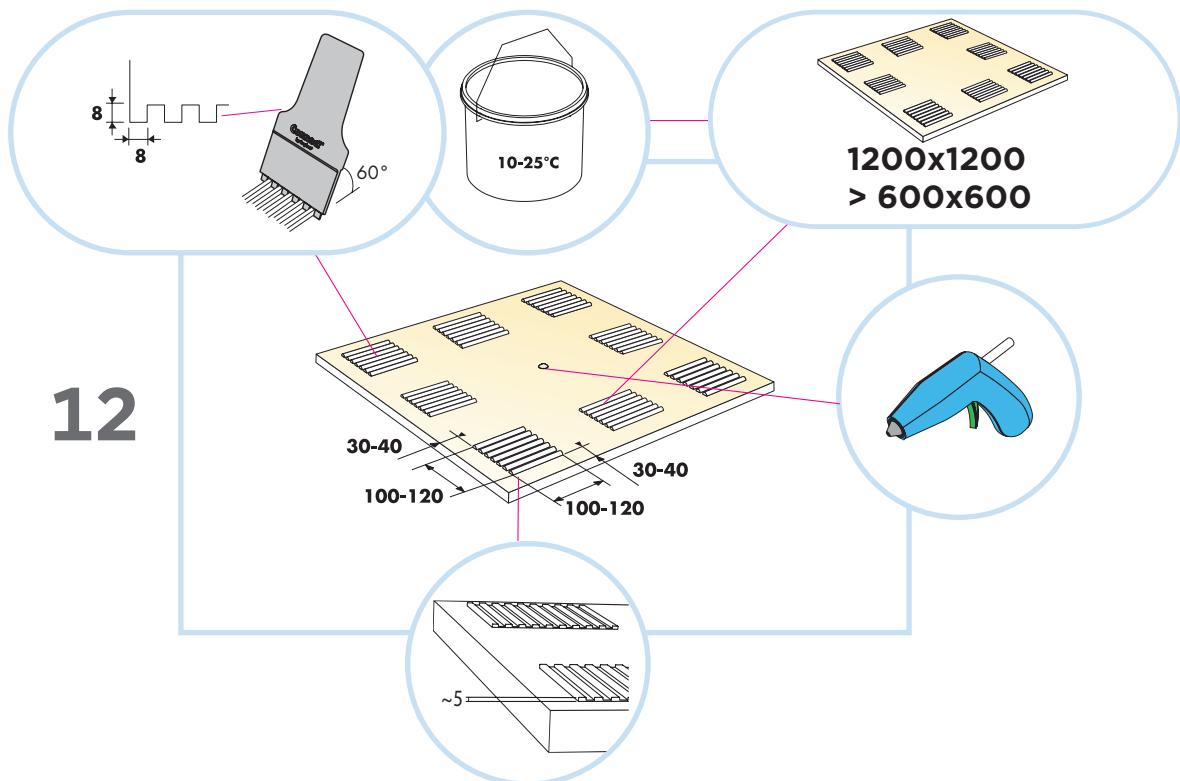
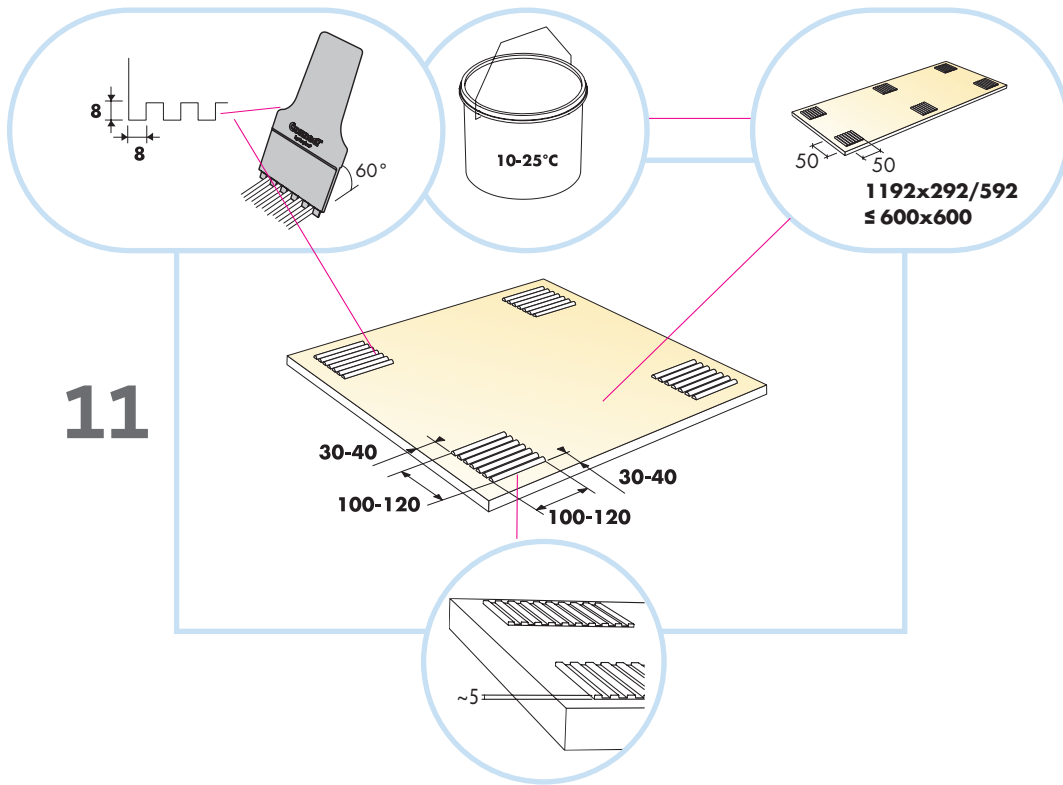




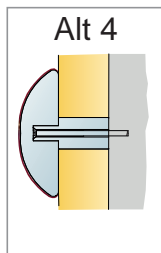
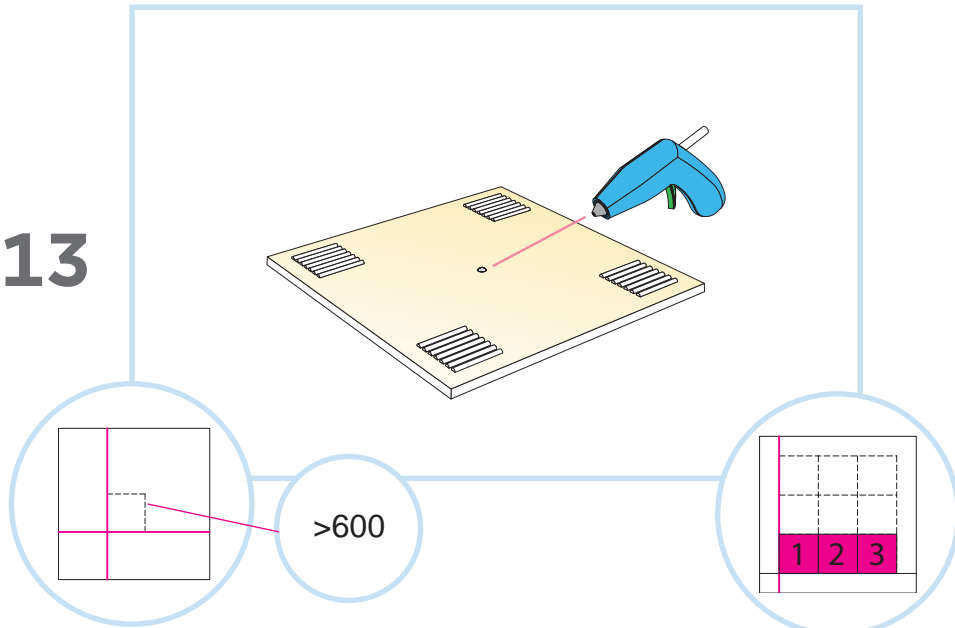




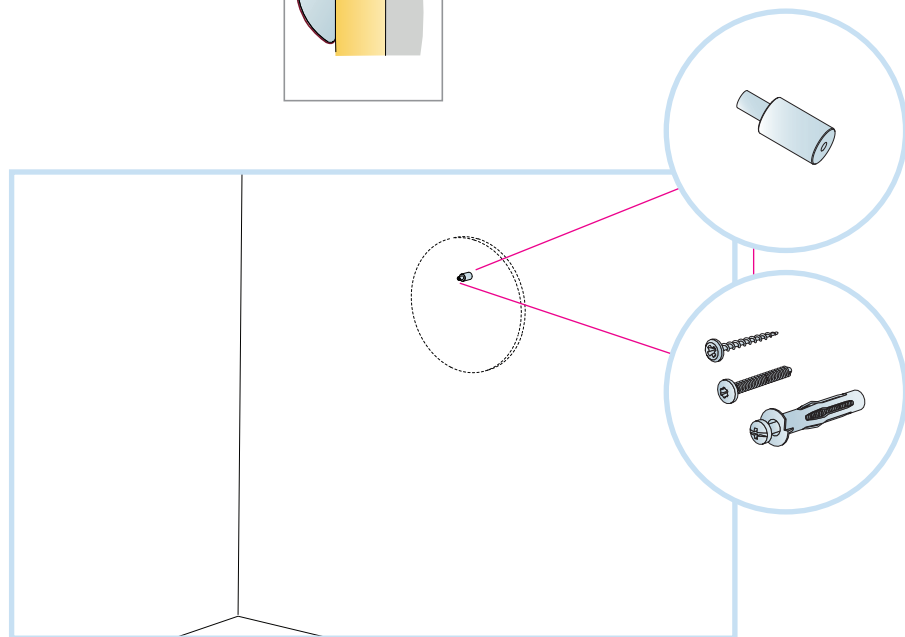


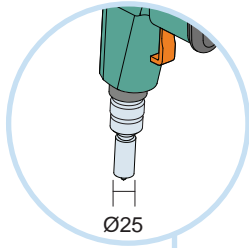


13

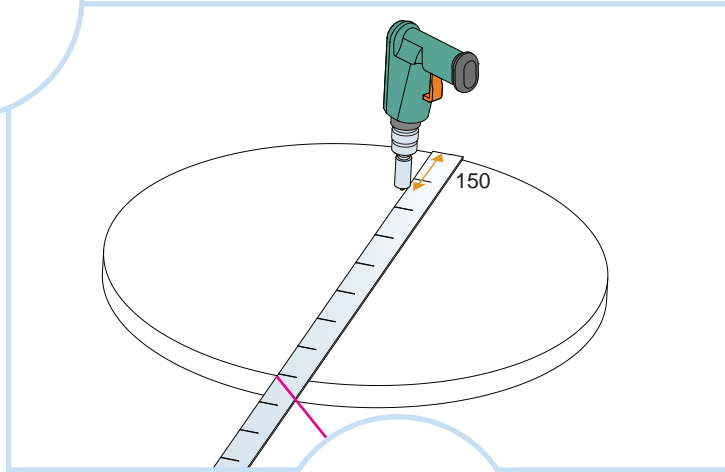


14

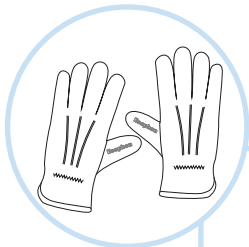




15



Ø 592
Ø 792
Ø 1192



16

